

EchoGuard[®]

4D Surveillance Radar

4D Perimeter Security.
Counter-UAS.
Delivered.

The leading 4D radar for high performance ground and air surveillance of defense, government, and critical infrastructure assets.

Ultra-low size, weight, and power (SWaP) active beam-steering ESA radar at commercial prices.

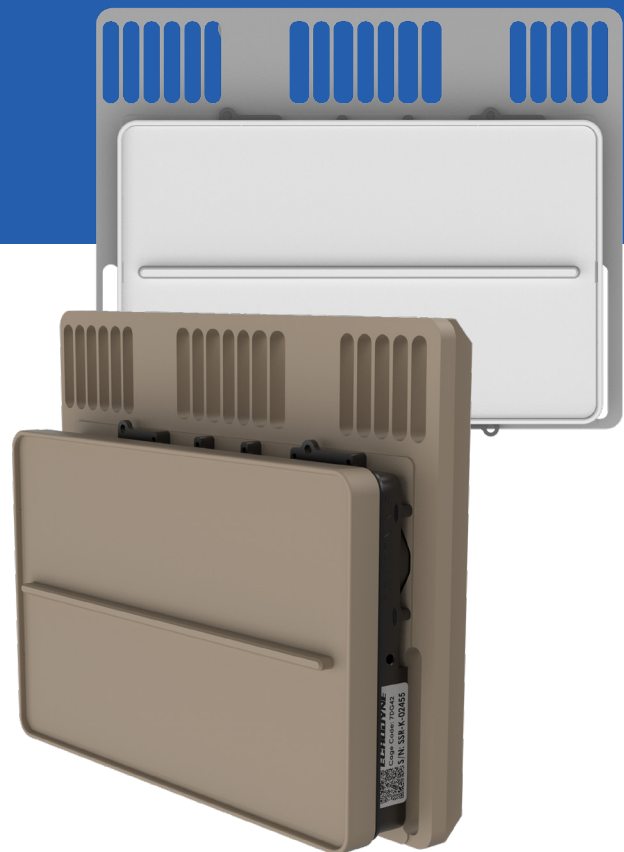
Ideal for counter-drone and surveillance of borders, bases, and critical infrastructure.

Easily configurable to site and mission requirements through an intuitive user interface.

Generates high fidelity data that easily integrates into C2 systems.

The best compact radar for mission-critical detection, tracking, classification, identification, and targeting needs.

International version available with CE, RoHS 3 compliance.



Cessna
> 2.5 km



Vehicle
> 3.5 km



Human
> 2.2 km



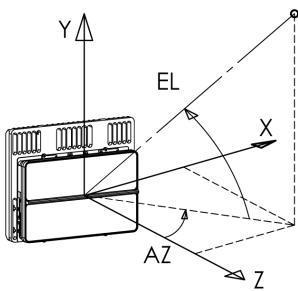
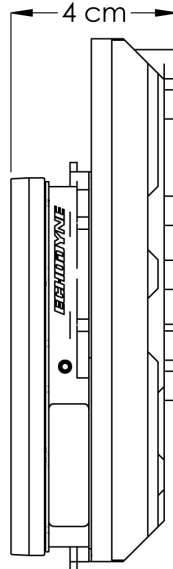
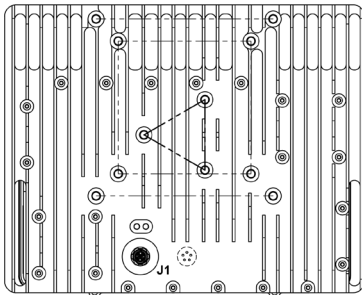
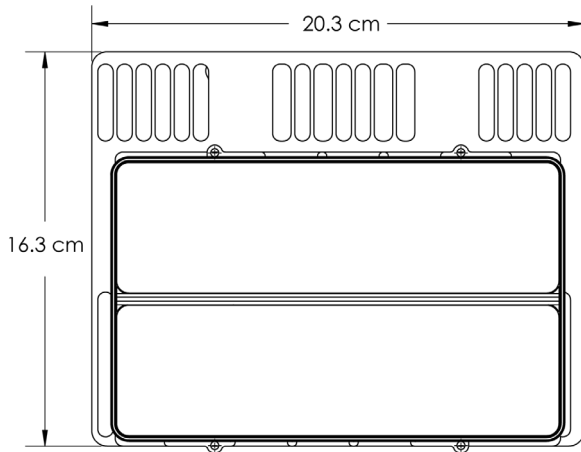
Matrice 600
> 1.4 km



Phantom 4
> 1 km

EchoGuard

4D Surveillance Radar



Performance

Instrumented Range	6 km
Range (sUAV)	> 1 km (Phantom 4) > 1.4 km (Matrice 600)
Range (vehicle)	> 3.5 km
Range (human)	> 2.2 km
Field of view	120° azimuth x 80° elevation
Angular resolution	2° azimuth x 6° elevation

Search While Track

Scan volume	User configurable
Search update rate	~1 Hz for 120° az x 60° el volume
Track acquisition rate	New tracks acquired < 1 sec
Search While Track	Tracks updated up to 10 Hz while radar intelligently scans rest of FOV
Max tracks	Up to 20 simultaneous tracks
Modes	Operational modes enable quick simple tracking of humans & UAVs

SWaP and Environmental

Size	20.3 cm x 16.3 cm x 4 cm
Weight	1.25 kg (2.75 lbs)
Power	DC +15 V to +28 V (US) DC +15 V to +24 V (INTL)
Operating	< 50 W (Operating) < 8 W (Hot standby)
Operating temp	-40°C to +75°C
Weather Protection	IP67

Integration and Data

Control I/O	Gigabit Ethernet
Power I/O	Snap lock 12 pin connector
Data output	R/Vmaps: 40 MB/s Detections: 1 MB/s Measurements: 1 MB/s Tracks: 25 kB/s
Mounting	VESA 75 & 100 mm

EchoGuard (US)

Frequency: 24.45 - 24.65 GHz (multi-channel)
FCC ID: 2ANLB-MESASSR00053

- color: White 700-0005-203-100
- color: Tan 700-0005-203-200

EchoGuard (International)

Frequency: 24.05 - 24.25 GHz (multi-channel)
Regulatory: CE, RoHS 3, RED

- color: White 700-0005-206-100
- color: Tan 700-0005-206-200